

● Safety Precautions

1. Please keep the BR130D away from moisture and liquids.
2. Do not touch with wet hands.
3. Avoid contact with solvents, gasoline, grease, oil, paint, and detergents.
4. Disconnect from power when not in use.
5. Do not open the housing or attempt to repair the unit yourself.
6. Do not operate near flammable liquids.
7. Use only the included AC cord for power.
8. Please keep the light out of reach from children.
9. The light housing may become warm during use. Allow it to cool before storing the light.

One Year Unconditional Warranty

If for any reason, this ProMaster product fails within ONE YEAR of the date of purchase, return this product to your ProMaster dealer and it will be exchanged for you at no charge. ProMaster products are guaranteed for ONE FULL YEAR against defects in workmanship and materials. If at any time after one year, your ProMaster product fails under normal use, we invite you to return it to ProMaster for evaluation.

WWW.PROMASTER.COM | FAIRFIELD CT 06825

Made in China

Code 8798



BR130D [*Daylight Balanced 14"*
LED Ringlight]

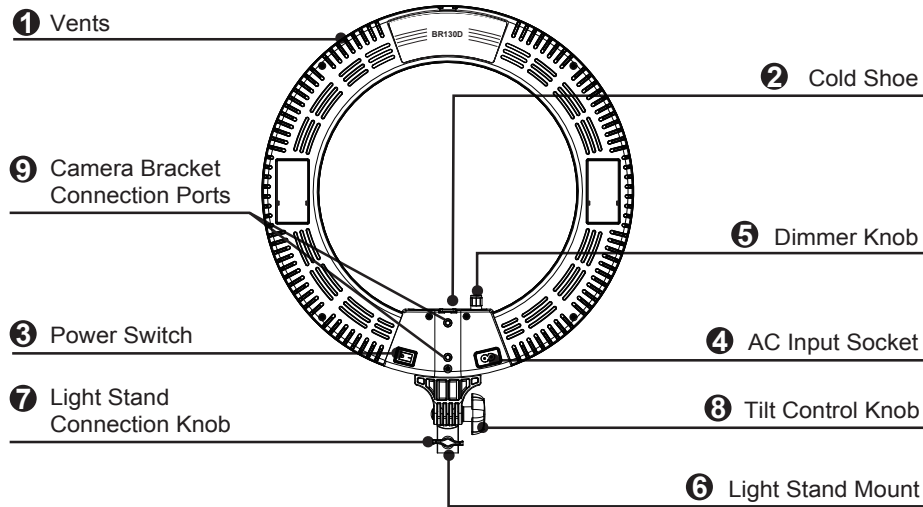
B A S I S • S E R I E S



Congratulations on your purchase of this ProMaster Basis BR130D LED Ringlight. It is a daylight-balanced light that is excellent for portraiture and many types of photography and videography in which a soft, direct light is desired.

Please read through this instruction manual to familiarize yourself with the features of this light so you can get the best results.

● Parts Identification



- | | |
|--------------------|------------------------------------|
| 1. Vents | 6. Light Stand Mount |
| 2. Cold Shoe | 7. Light Stand Connection Knob |
| 3. Power Switch | 8. Tilt Control Knob |
| 4. AC Input Socket | 9. Camera Bracket Connection Ports |
| 5. Dimmer Knob | |

● Specifications

Model	8798 BASIS BR130D
Power Consumption	40W
Brightness	1100 lux at 3' / 1 m 130 lux at 10 / 3 m
Luminous Flux	4,000 LM
LED Quantity	180 PCS
Color Temperature	5600K +/- 200K
Color Accuracy	CRI 95+
Dimmer	10%-100%
Lamp Life	50,000 hours
Power Input	AC100-240V 50/60Hz
Dimensions	Outer 14" / 35.6 mm Inner 9" / 22.9 cm
Weight	2 lbs 4 oz / 1.02 kg

● Using the Light

Mounting the Light: The BR130D is fitted with an industry-standard 5/8" light stand connector. This is identified as the Light Stand Mount (6) in the parts diagram. Loosen the Light Stand Connection Knob (7) before sliding the Light Stand Mount (6) onto a light stand, grip arm, flex arm, or other type of grip item fitted with a 5/8" male spigot or stud. Tighten the Light Stand Connection Knob (7) for a secure fit.

Attaching a Camera to the Light: Included with this kit is a camera connection bracket and two wingnuts. The bracket is shaped like an 'L'. Align the slot in the camera connection bracket with the two Camera Bracket Connection Ports (9) on the back of the ringlight. Insert both wingnuts through the slot and into the Camera Bracket Connection Ports (9). The portion of the camera connection bracket with a rubber pad and attachment screw should be oriented at the top of the bracket when you attach it to the light. The bracket can be mounted in one of two directions, with the top facing into the center of the ringlight or with its top facing away from the back of the ringlight. Use whichever direction will give your camera the most ideal placement within the ringlight's center. Loosen the wing nuts slightly and slide the bracket up or down for the most ideal placement of your camera.

Powering Up: Locate the AC cable included with the kit. Check to be sure the Power Switch (3) of the ringlight is set to the OFF position. Attach the 2-pin, figure-8 connector of the AC cable to the AC Input Socket (4) on the Ringlight. Next connect the 2-prong household connector on the AC cable to a standard household socket. Now press the Power Switch (3) to the ON position (right side of switched pressed in). The light will take a second or two to power up and illuminate.

Note: Always be sure the light is turned OFF before disconnecting the AC cable. Disconnect the AC cable from the household socket BEFORE disconnecting it from the AC Input Socket (4) of the ringlight.

Adjusting the Brightness: Locate the Dimmer Knob (5). Turn it clockwise to increase the brightness or counterclockwise to decrease the brightness.

Note: If you turn the Dimmer Knob (5) quickly, it may take a second or two for the light to change its brightness to match.

Adjusting the Light's placement: The Tilt Control Knob (8) can be loosened slightly to allow the ringlight to be tilted up or down. The Light Stand Connection Knob (7) can be loosened slightly to allow the light to be rotated left or right. All other adjustments for placement of the ringlight should be done with the particular stand or grip you have the ringlight mounted to.